



EXAMINATIONS COUNCIL OF ESWATINI
Junior Certificate Examination

CANDIDATE
NAME

CENTRE
NUMBER

--	--	--	--

CANDIDATE
NUMBER

--	--	--	--

CONSUMER SCIENCE

540/01

Paper 1

Specimen paper 2024-2026

Candidates answer on the Question paper.

1 hour 15 minutes

No additional Materials are required.

READ THESE INSTRUCTIONS FIRST

Write your name, centre number, and candidate number on all the work you hand in.

Write in **blue** or **black** pen.

You may use an HB pencil for any diagrams.

Do **not** use staples, paper clips, highlighters, glue or correction fluid.

Do **not** open this Question Paper until you are told to do so.

This Question Paper contains **ONE SECTION**.

Answer all Questions.

Answer all questions on the spaces provided on the Question Paper.

SECTION A - CLOTHING AND TEXTILE AND LAUNDRY

FOR EXAMINERS USE	
SECTION A	
SECTION B	
TOTAL MARKS	

This document consists of **6** printed pages and **2** blank pages.

SECTION A- CLOTHING AND TEXTILE AND LAUNDRY
This section consists of two questions of 25 marks each
Answer all questions

QUESTION 1

A. Define the following terms.

(i) Warp threads

.....
..... [1]

(ii) Weft threads

.....
..... [1]

B. Give **one** way of transferring pattern marking onto fabric.

..... [1]

C. List **three** different types of fasteners.

(i).....

(ii).....

(iii) [3]

D. State **two** points to consider when selecting fasteners.

(i)
.....

(ii)
..... [2]

E. Give **two** groups of sewing equipment.

(i)

(ii) [2]

F. Explain **two** points to consider when taking care of a sewing machine.

(i)
.....

(ii)
..... [2]

G. Name **three** types of irons commonly used in laundry.

- (i)
- (ii)
- (iii) [3]

H. What is the difference between an inverted pleat and a box pleat?

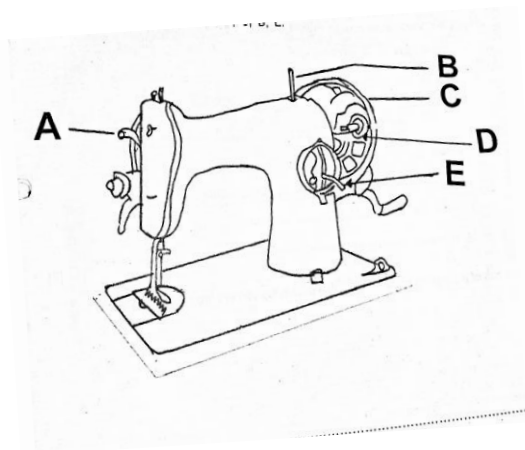
- (i) Inverted pleat
.....
..... [1]

- (ii) Box pleat
.....
..... [1]

I. Identify **three** areas where a single pointed dart can be used on a garment.

- (i) [1]
- (ii) [1]
- (iii) [1]

J. Label the following parts of a sewing machine.



- A
- B
- C
- D
- E [5]

[TOTAL MARKS 25]

QUESTION 2

a) State the difference between

(i) Hard water

.....
..... [1]

(ii) Soft water

.....
..... [1]

b) Give **two** reasons for each of the following steps in Laundry.

(i) Soaking

.....
..... [1]

(ii) Bleaching

.....
..... [1]

c) Describe **four** steps for washing a woollen jersey.

.....
.....
.....
..... [4]

d) State the procedure for removing stains on Silk and Woollen garments.

.....
.....
.....
..... [3]

e) State **two** ways of solving each of the following machine problems.

(i) Thread breaks at the eye of a needle.

1.....

 2.....
 [2]

(ii) Fabric puckers up when stitched.

1.....

 2.....
 [2]

f) Which equipment is needed to perform each of the following tasks?

(i) Sewing embroidering stitches.

..... [1]

(ii) Marking a seam line.

..... [1]

(iii) Opening of a machine-made buttonhole.

..... [1]

(iv) Storing pins while in use.

..... [1]

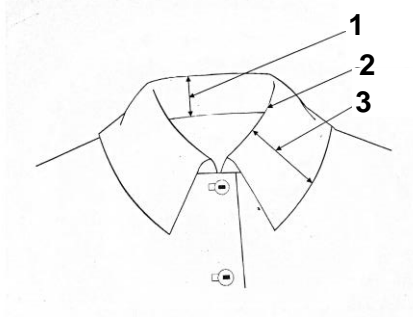
g) State any **three** advantages of a steam iron?

(i) [1]

(ii) [1]

(iii) [1]

h) Label the following parts of a collar.



- 1. [3]
- 2.
- 3.

[TOTAL MARKS 25]

BLANK PAGE

BLANK PAGE

Permission to produce items where third-party-owned material protected by copyright is included has been sought and cleared where possible. Every reasonable effort has been made by the publisher (ECESWA) to trace copyright holders, but if any items requiring clearance have unwittingly been included, the publisher will be pleased to make amends at the earliest possible opportunity.